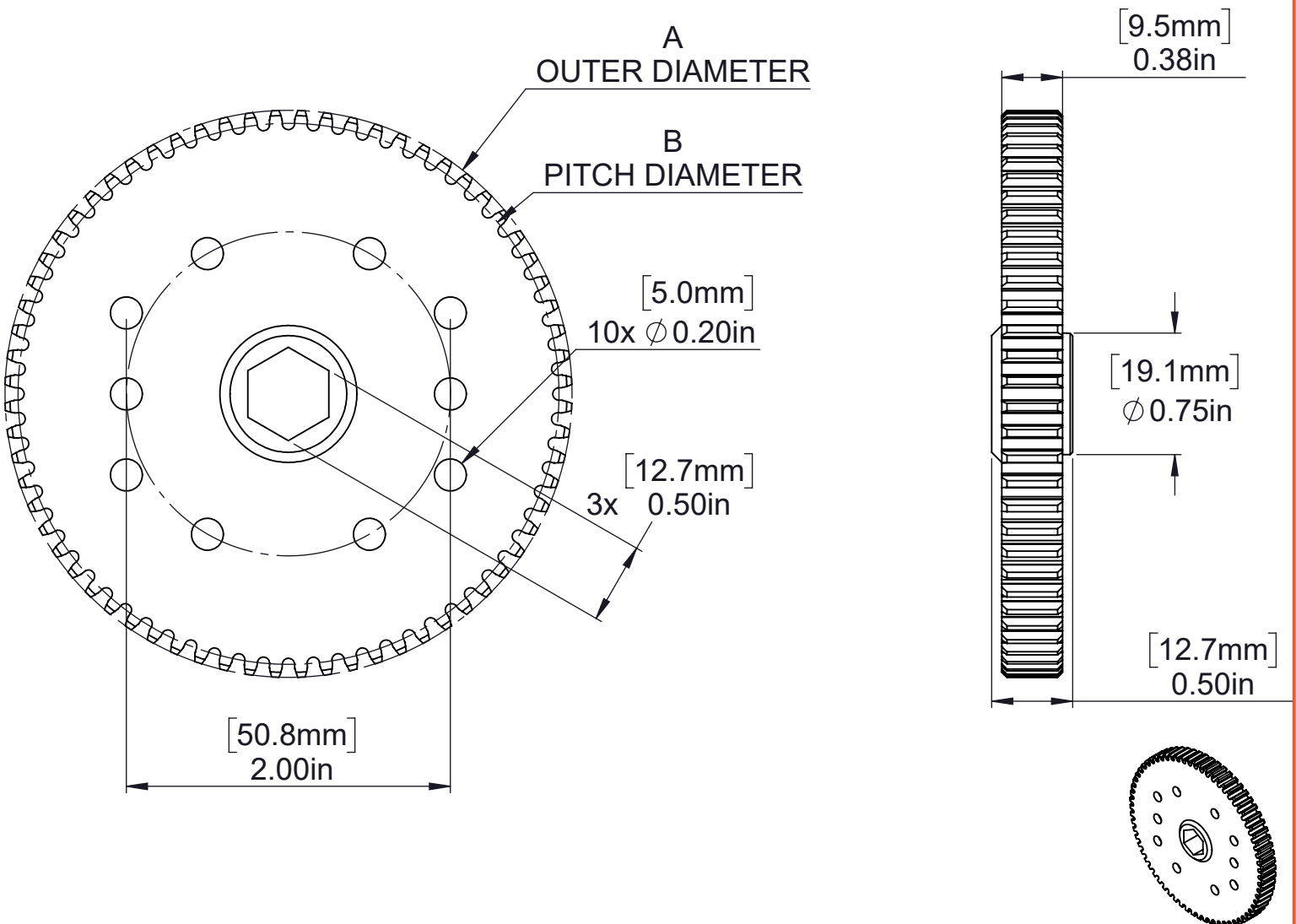


20DP Gear - 1/2in Hex (Large)

Large Hex gear	Outer Diameter (A)	Pitch Diameter (B)	Teeth
REV-21-1941	[78.7mm] 3.10in	[76.2mm] 3.00in	60
REV-21-1942	[81.3mm] 3.20in	[78.7mm] 3.10in	62
REV-21-1943	[83.8mm] 3.30in	[81.3mm] 3.20in	64
REV-21-1944	[86.4mm] 3.40in	[83.8mm] 3.30in	66
REV-21-1945	[88.9mm] 3.50in	[86.4mm] 3.40in	68
REV-21-1947	[94.0mm] 3.70in	[91.4mm] 3.60in	72
REV-21-1951	[104.1mm] 4.10in	[101.6mm] 4.00in	80



MATERIAL:

Steel 4140

FINISH:

N/A

DATE:

3/7/2025