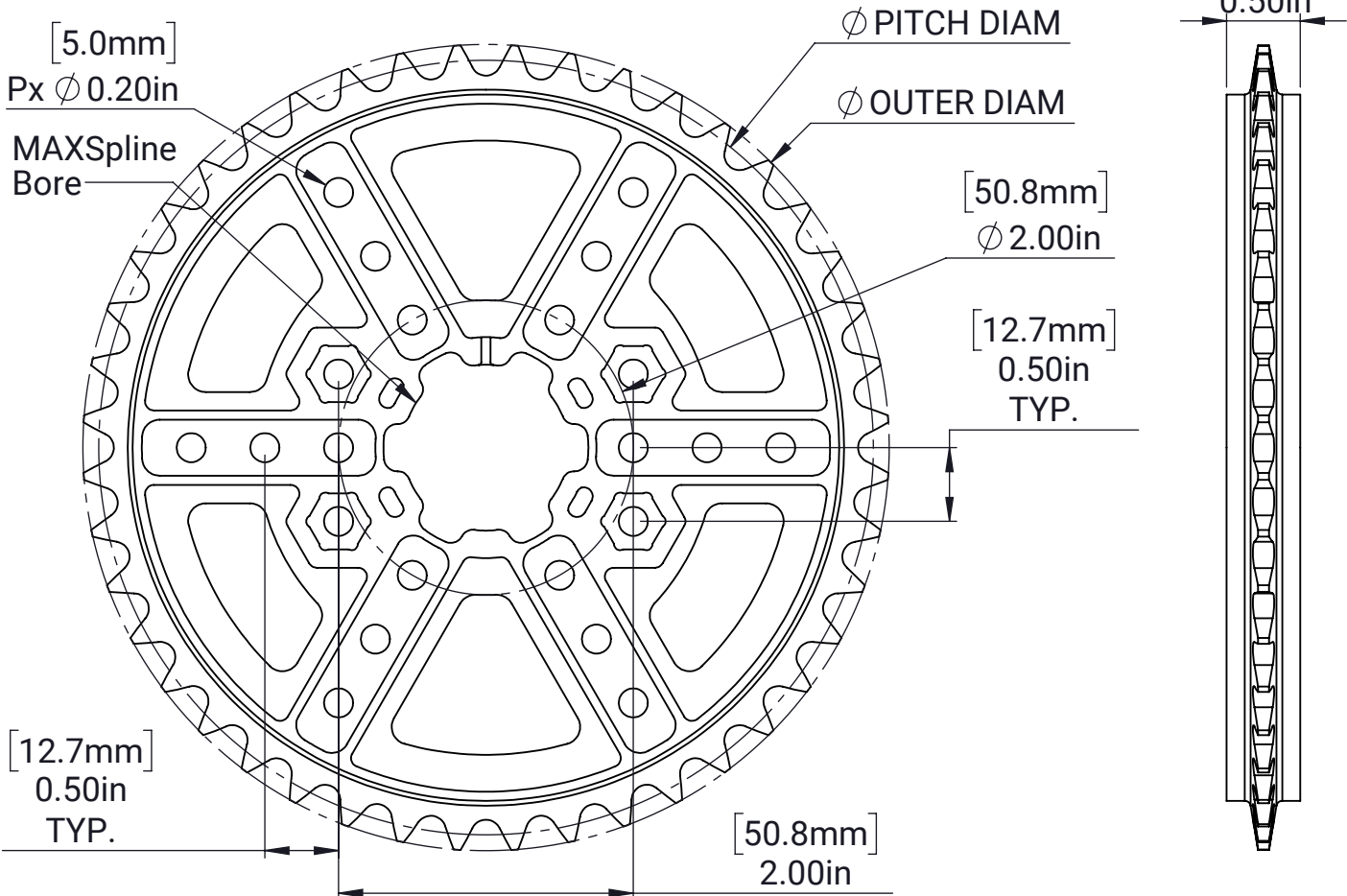
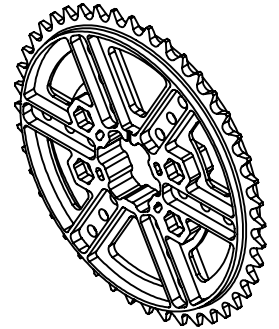


#35 Billet Sprockets

PART NUMBER	TEETH	OUTER DIAM	PITCH DIAM	P
REV-21-3718	28	[90.4mm] 3.56in	[85.1mm] 3.35in	10
REV-21-3719	32	[102.6mm] 4.04in	[97.2mm] 3.83in	10
REV-21-3720	36	[114.7mm] 4.52in	[109.3mm] 4.3in	16
REV-21-3721	40	[126.9mm] 4.99in	[121.4mm] 4.78in	16
REV-21-3722	44	[139.0mm] 5.47in	[133.5mm] 5.26in	22
REV-21-3723	48	[151.1mm] 5.95in	[145.6mm] 5.73in	22
REV-21-3724	52	[163.2mm] 6.43in	[157.8mm] 6.21in	28
REV-21-3725	56	[175.4mm] 6.9in	[169.9mm] 6.69in	28
REV-21-3726	60	[187.5mm] 7.38in	[182.0mm] 7.17in	34
REV-21-3727	64	[199.6mm] 7.86in	[194.1mm] 7.64in	34
REV-21-3728	68	[211.8mm] 8.34in	[206.2mm] 8.12in	40
REV-21-3729	72	[223.9mm] 8.81in	[218.4mm] 8.6in	40
REV-21-3730	76	[236.0mm] 9.29in	[230.5mm] 9.07in	40
REV-21-3731	80	[248.2mm] 9.77in	[242.6mm] 9.55in	46



MATERIAL:

Aluminum 6061

FINISH:

Black Anodized

DATE:

9/17/2024