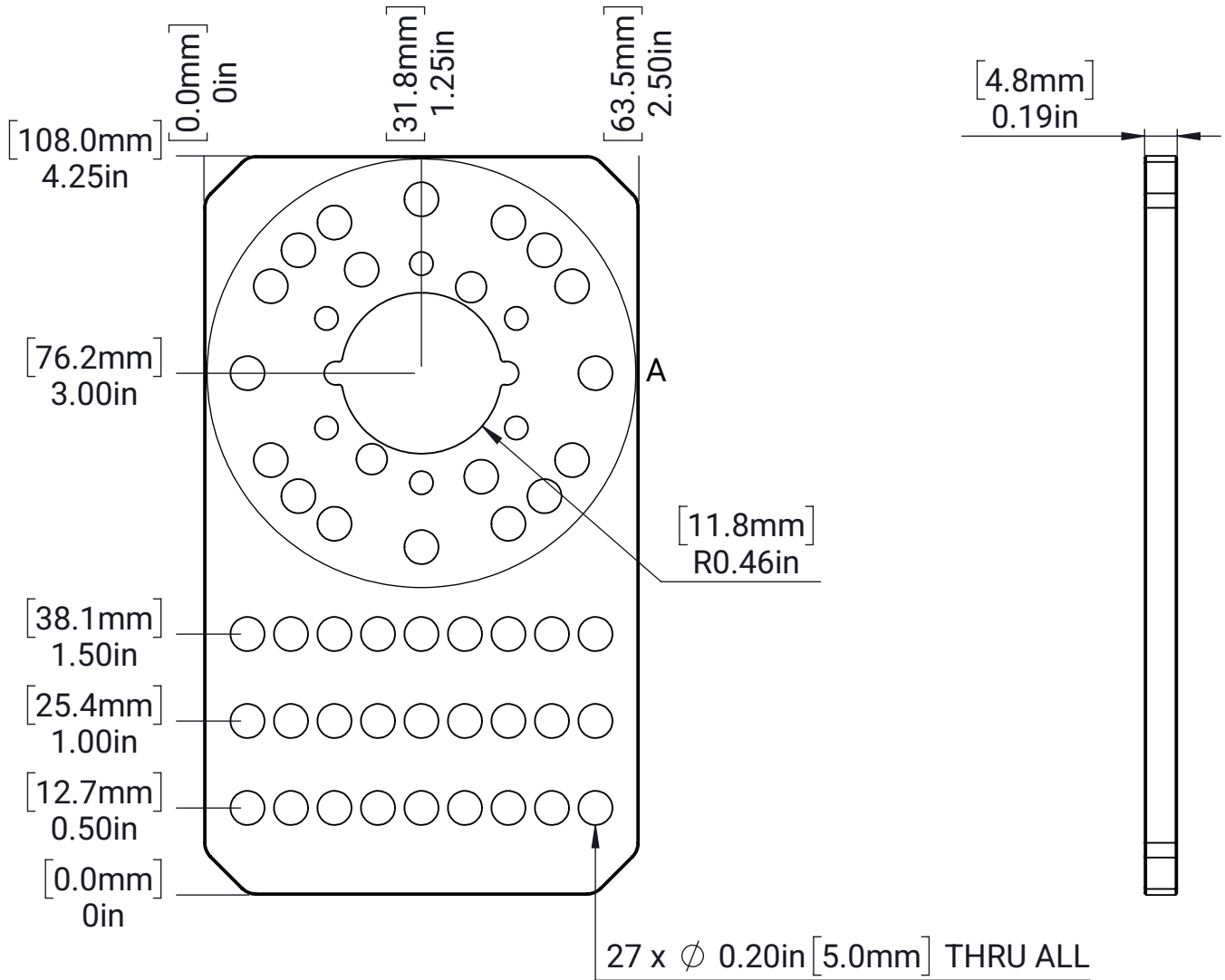


Universal Motor Bracket

NOTE: DETAIL VIEW A IS ON SECOND SHEET



MATERIAL:

6061 Aluminum

FINISH:

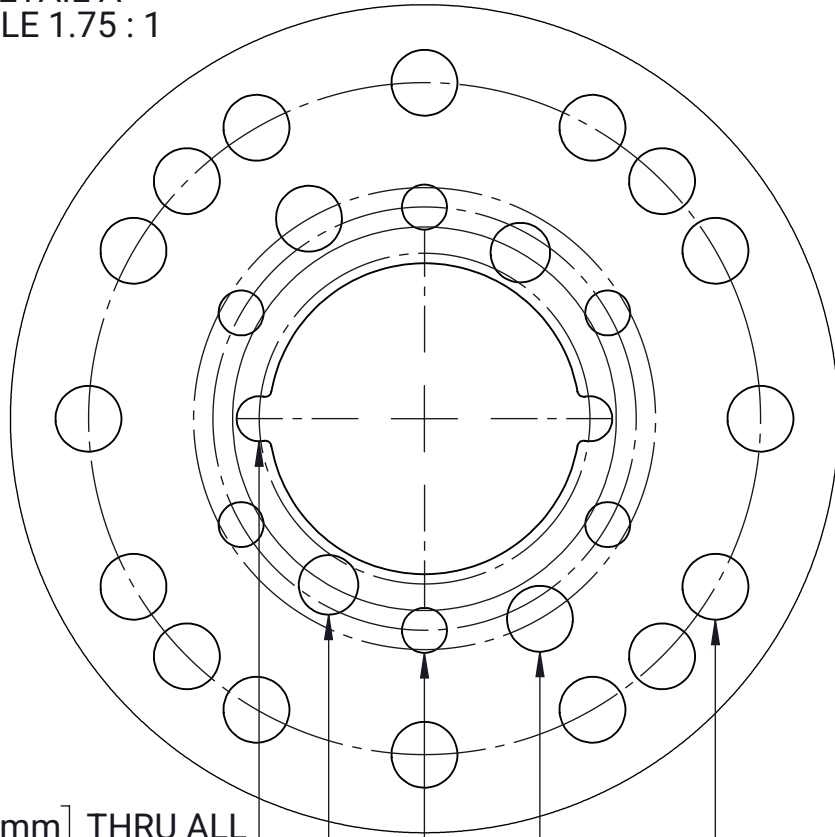
Black Anodized

DATE:

1/29/2026

Universal Motor Bracket

DETAIL A
SCALE 1.75 : 1



2 x ϕ 0.13in [3.4mm] THRU ALL
0.98in [25.0mm]
550 Brushless Class Motors

2 x ϕ 0.18in [4.5mm] THRU ALL
1.14in [29.0mm] BCD
775 Brushed Class Motors

6 x ϕ 0.13in [3.4mm] THRU ALL
1.26in [32.0mm] BCD
550 Brushed Class Motors

2 x ϕ 0.20in [5.0mm] THRU ALL
1.375in [34.9mm] BCD
775 Brushless Class Motors

16 x ϕ 0.20in [5.0mm] THRU ALL
2.00in [50.8mm] BCD
CIM Class Motors

MATERIAL:

6061 Aluminum

FINISH:

Black Anodized

DATE:

1/29/2026