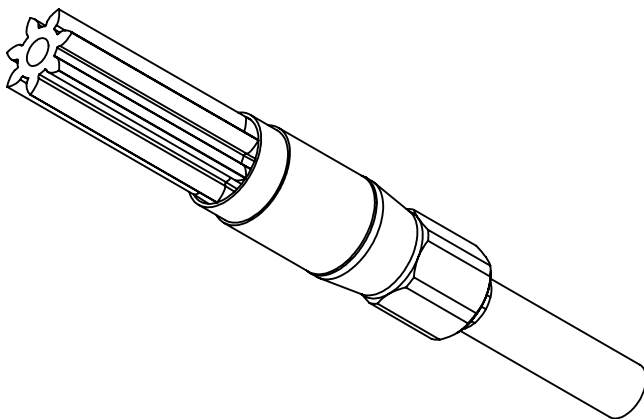
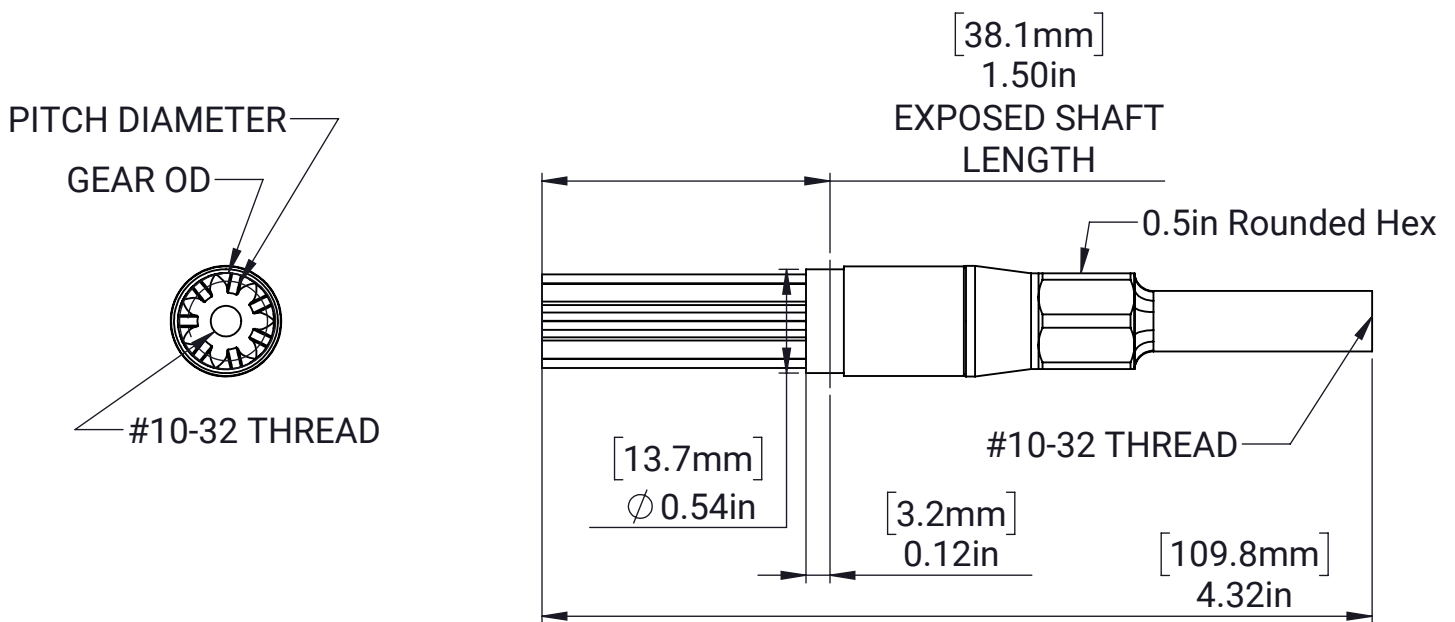


Vortex Shaft - 20DP Gear

PART NUMBER	TOOTH COUNT	PITCH DIAMETER	GEAR OD
REV-21-6800	7	0.4in [10.16mm]	0.5in [12.7mm]
REV-21-6801	8	0.4in [10.16mm]	0.5in [12.7mm]



MATERIAL:

4140 Steel

FINISH:

As Machined

DATE:

10/6/2025